

Fluid Dynamic Grit Classifier GRITSEP® FGC



THE MOST COMPACT AND EFFICIENT GRIT AND SAND CLASSIFIER

GRITSEP® FGC is an innovative sand and grit classifier designed with the most advanced simulation software. GRITSEP® FGC is the most compact, economical solution engineered for easy on-site assembly.

Storage, transportation costs and maintenance costs are reduced to the minimum.

GRITSEP® FGC Fluid Dynamic Grit Classifier consists of a separation tank, a grit and sand extracting screw and machine supports.

In various waste water treatment processes sand removal is vital to preserve functionality of the machine. GRITSEP® FGC Fluid Dynamic Grit Classifier enables to:

- Separate sand/grit from the waste water stream;
- Extract and de-water residual solids.

Technical Features

Refers to sand with particle size $\geq 200\mu\text{m}$ and bulk density from 2.60 to 2.65 t/ m³. SINT™ engineering polymer anti-wear profile improves durability of the most critical machine components, mainly if the machine is extensively used.

Maximum Flow Rate		Average Sand Extraction
[m ³ /h]	[dm ³ /s]	[dm ³ /s]
18	5	0.18
30	8	
54	15	
90	25	
130	36	



Benefits

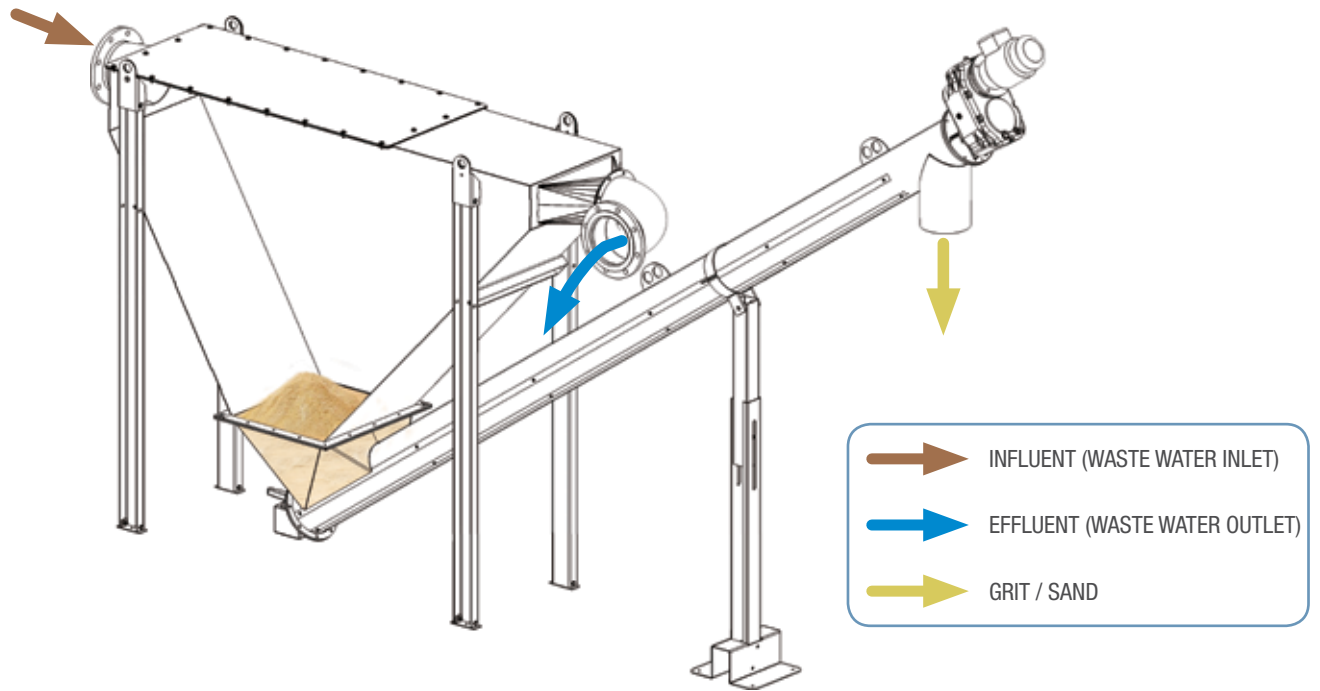
OEM

- ✓ Compact footprint → Reduced infrastructure costs;
- ✓ Easy, low cost installation using standard tools;
- ✓ Comprehensive product range.

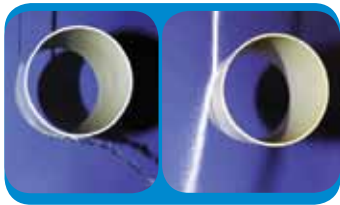
EU

- ✓ High separation performance;
- ✓ Excellent footprint-net volume ratio reduces shipping costs;
- ✓ Easy access → reduction of maintenance costs;
- ✓ Durable heavy-duty shaftless screw;
- ✓ Easy maintenance thanks to bolted wear bars;
- ✓ Durable, high-density SINT™ engineering polymer anti-wear profile (option);
- ✓ Pressure sensor for running time optimisation (option);
- ✓ Endless tube for odour reduction (option);

Process Description



Fluid dynamics



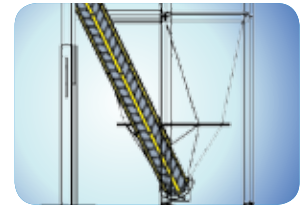
Extracting screw



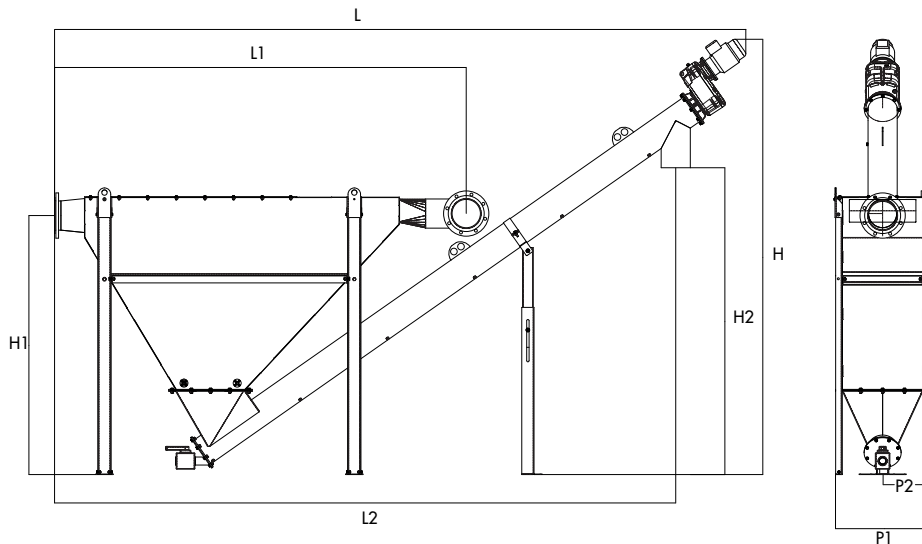
SINT™ module



Bolted wear bars (external view of trough)



Overall Dimensions



MODEL	L	L1	L2	H	H1	H2	P1	P2
FGC 005	4,300	2,245	3,600	2,500	1,450	1,650	431	220
FGC 008	4,300	2,286	3,600	2,500	1,450	1,650	631	320
FGC 015	5,400	3,125	4,700	3,000	1,950	2,150	716	365
FGC 025	5,400	3,200	4,700	3,000	2,000	2,150	816	415
FGC 036	5,400	3,275	4,700	3,000	2,000	2,150	1,016	478

ООО «ТИ-СИСТЕМС» ИНЖИНИРИНГ И ПОСТАВКА ТЕХНОЛОГИЧЕСКОГО ОБОРУДОВАНИЯ

Интернет: www.tisys.ru www.tisys.kz www.tisys.by www.tesec.ru www.ти-системс.рф

Dimensions in mm

Телефоны: +7 (495) 7774788, 7489626, 5007155, 54 Эл. почта: info@tisys.ru info@tisys.kz info@tisys.by

Application



063002297 July 2013 Rights reserved to modify technical specifications.



ООО «ТИ-СИСТЕМС» ИНЖИНИРИНГ И ПОСТАВКА ТЕХНОЛОГИЧЕСКОГО ОБОРУДОВАНИЯ
Интернет: www.tisys.ru www.tisys.kz www.tisys.by www.tesec.ru www.ти-системс.рф



www.wamgroup.com

Телефоны: +7 (495) 7774788, 7489626, 5007155, 54 Эл. почта: info@tisys.ru info@tisys.kz info@tisys.by